



Adaptable to any ironer on the market, the FL-LITE Flatwork Folder delivers precision folding at processing speeds of up to 164 feet per minute. The FL-LITE can significantly boost the productivity of any laundry—especially when paired with the AP-LITE stacker.

FL-LITE
AP-LITE

CONTINENTAL
GIRBAU®

FL-LITE FLATWORK FOLDER

ADAPTABILITY FOR EVERY NEED

The FL-LITE Folder performs up to two primary folds on one or two equal lanes and cross folds on one middle lane, with an optional third primary fold. This folder, which works with or without a stacker, delivers high-quality folding for a variety of items, including sheets, pillowcases, tablecloths and napkins. The FL-LITE can also fold duvets and bedspreads thanks to a blade-assisted cross fold that is adaptable to item thickness.

ADAPTABLE TO ALL IRONERS

Thanks to a multi-position laundry feeding belt, the FL-LITE is adaptable to any ironer on the market—no matter the manufacturer or roller diameter. The design of the primary folder and the adjustable speed control with inverter make the FL-LITE Folder capable of processing up to 164 feet per minute to match specific ironing speeds and production requirements.

FIRST CROSS-FOLD—ADAPTABLE TO ITEM THICKNESS

The thickness of the article is automatically taken into account during the first cross-fold. A roller and spring system works in conjunction with a mechanical blade to automatically adjust the opening distance for the thickness of the item. This ensures thicker items including duvets and bedspreads are precisely folded.

PRECISION FOLDING

Support plates and a band circuit hold items flat and secure throughout the primary folding phase—ensuring unmatched folding precision. A support system further reduces item movement and improves folding quality.

ADVANCED CONTROL

The advanced touch-screen control features a series of graphic menus to eliminate operator language barriers. The control enables 20 program options to fit specific folding requirements and utilizes network communication with feeders and ironers. To facilitate optimum productivity, the control features management capabilities including reporting on item/program counts and overall operating time.

SIMPLIFIED MAINTENANCE

A toothed-belt transmission reduces noise levels and eliminates the need for lubrication. To further simplify maintenance, the photocell reflectors are cleaned automatically as laundry passes through the folder.

DISTRIBUTING AIR VALVES BUILT TO LAST

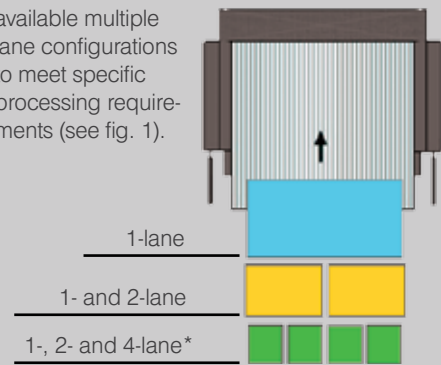
The distributing air valves that are responsible for creating the air blasts for folding, feature an estimated life 10 times greater than traditional distributing valves. The more reliable electromechanical distributors not only ensure uniformity and quality folds, they contribute to reduced electricity consumption.



LANE CONFIGURATIONS

The FL-LITE is available multiple lane configurations to meet specific processing requirements (see fig. 1).

fig. 1



Note: When using 4-lanes, the folder will not perform a fold.



support system



touch-screen controls



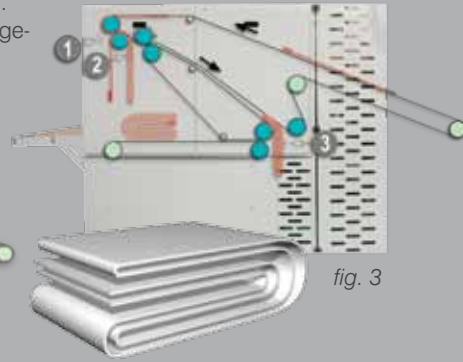
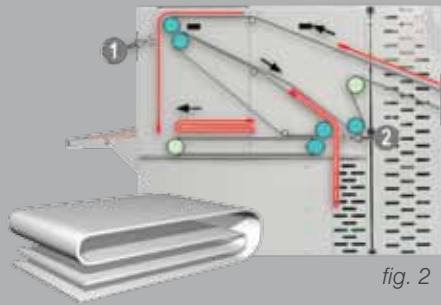
belt transmission



reliable distributing valves

PRIMARY FOLDING

The FL-LITE automatically performs up to two primary folds on one or two equal lanes (see fig. 2). A third primary fold—especially useful for large-size linens—is an available option (see fig. 3). Primary folding is performed by an air blast.



SECONDARY OR CROSS FOLDING

Cross folds are performed on one middle lane and consists of three folds (see fig. 4). The first fold is performed using motorized rollers and a mechanical blade; the second using a clamp; and the third using a suspended fold and mechanical blade with pinch rollers. The FL-LITE can be manufactured without cross folding (NX models).



SAFE & ERGONOMIC

Designed for ease of use and safety, the FL-LITE features an emergency stop button and complies with all safety regulations and directives. The folder is backed by a limited two-year manufacturer's warranty.

AVAILABLE OPTIONS TO SUIT ANY NEED

FL-LITE Folders have an array of options and accessories to match the individual needs and production requirements of any laundry.

Small-Piece Accumulator and Collection Table At the rear of the folder, the small-piece accumulator collects small items, such as napkins, pillowcases and tea towels with the ability to drape and stack items from four independent lanes. For small- to medium items, the FL-Lite can be programmed to perform one or two primary folds then discharge onto the collection table.

Program Selector From Feeder Area This option allows selection of the program from the feeding area, without moving folder.

Dirty or Torn Linen Selector This option activates a bell and warning light when torn or dirty items are detected. Items are rejected via the rear table. Activation requires the "program selector" option.

Double Antistatic Bar This accessory ensures the folder operates properly during high static conditions. It is recommended when working with synthetic items with high fiber content or in very dry environments.

Service Walkway and Safety Handrail Useful for carrying out maintenance, the service walkway and handrail provide added safety.



AP-LITE STACKER

The AP-LITE drop stacker features an effective flap system and an upper belt for exceptional stacking. Designed to work with the FL-LITE Folder, the AP-LITE stacks items according to the selected number of items per stack. It then discharges the stacks onto a delivery conveyor. Processing up to 100 stacks of 10 per hour, the stacker is programmed via the folder control. The AP-LITE offers optimal protection for operators thanks to side covers, transparent guards and an emergency stop. It requires minimum maintenance and is simple to adjust.



FL-LITE

AP-LITE

Number of Lanes	1, 2 or 4
Usable Feeding Widths <i>inch (mm)</i>	118.1, 129.9, 137.8 (3000, 3300, 3500)
Net Weight <i>lbs. (kg)</i>	4079 (1850)
Machine Width <i>inch (mm)</i>	158 (4013)
Machine Depth <i>inch (mm)</i>	Gas 158.1 (4017) Steam 148 (3759)
Machine Height <i>inch (mm)</i>	72.4 (1840)
Electrical Power <i>kVA</i>	2.8
Primary Belt Speed <i>ft/min (m/min)</i>	33-164 (10 at 50)
Secondary Belt Speed <i>ft/min (m/min)</i>	164 (50)
Compressed Air Pressure <i>PSI (bar)</i>	
Minimum	87 (6)
Maximum	145 (10)
Available Voltages	208-240/60/3 440-480/60/3

Machine Width <i>inch (mm)</i>	119.7 (3040)
Machine Depth <i>inch (mm)</i>	40.7 (1034)
Machine Height <i>inch (mm)</i>	43.3 (1100)

* Product specifications are subject to change without notice. For the most current and complete technical specifications, architectural line drawings and warranty information, please visit www.continentalgirbau.com.



OUR ENVIRONMENTAL COMMITMENT

Laundry products manufactured by the Girbau Group meet rigorous environmental and safety standards established by the International Organization for Standardization (ISO), including ISO9001 and ISO14001. Ever focused on laundry efficiency, Continental Girbau Inc., the North American subsidiary of the Girbau Group, is a member of the U.S. Green Building Council (USGBC), a 501(c)(3) nonprofit that developed the Leadership in Energy and Environmental Design (LEED) Green Building Rating System.

DISTRIBUTED BY:



www.continentalgirbau.com • 800-256-1073

2500 State Road 44 • Oshkosh, WI 54904 • 920-231-8222 • Fax 920-231-4666